

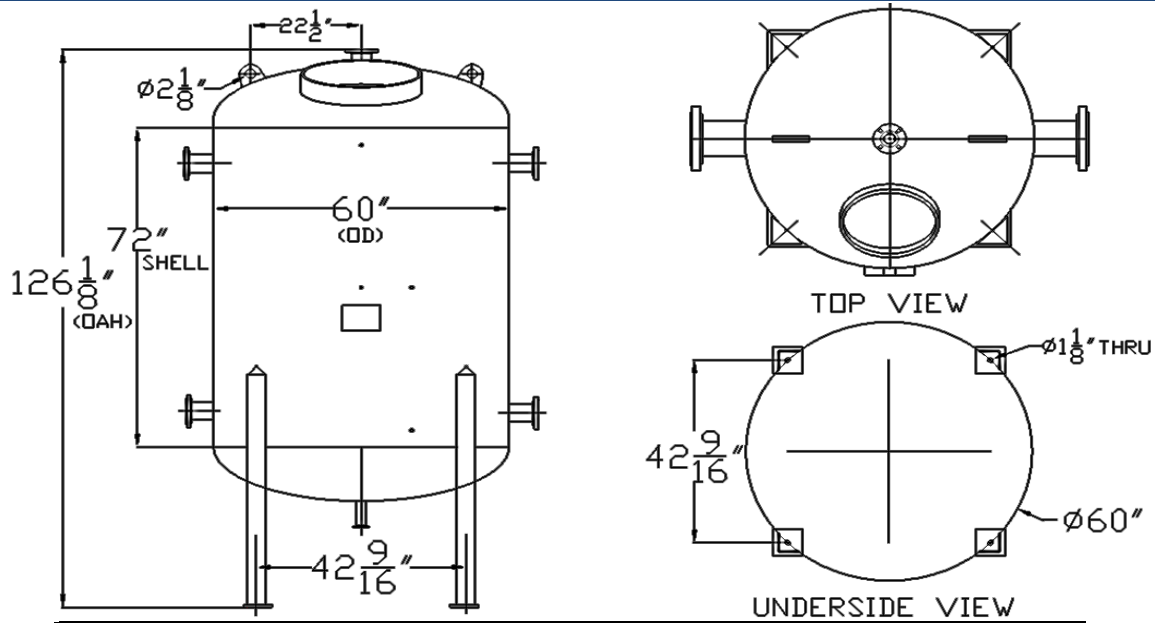


®

1000 GAL STAINLESS STEEL VERT TANK

1000 GALLON TANK DRAWING

DIMENSIONAL DRAWINGS



OUTER DIAMETER	HEIGHT	SHELL THICKNESS	TANK CAPACITY	WEIGHT	WEIGHT WITH WATER
60"	126-1/8"	3/16"	1000 GAL	1563 LBS	9876 LBS

TANK FEATURES

DIMENSIONS:	60" O.D. X 72" SHELL, 3/16" THICK; F&D HEADS 1/4" THICK;
	14" ID X 18" ID X 4" X 3/4" THICK. YOLK & BOLT MANWAY;
	4" 150# FLANGED CONNECTIONS (X4, FLUID);
	2" 150# FLANGED CONNECTIONS (X2, DRAIN, VENT);
	0.000" CORRISION ALLOWANCE;
INCLUDED:	LIFT LUGS 5" X 1/2" THICK
	3/4" INSULATION

DRAKE REFRIGERATION INC

2900 SAMUEL DRIVE
 BENSLEM, PA 19020
 (888) 289-7299

www.drakechillers.com